

SLURRY WAFER SERIES KNIFE GATE VALVE



The Slurry Clarkson-type Wafer Knife Gate Valve KGD - WGV, is built with a cast iron body and features a heavy-duty stainless steel blade. Removable sleeves on either side of the blade provides a bi-directional, bubble-tight seal with no metal parts in contact with the slurry.

Original manufacturers names, part numbers and descriptions are for reference purposes only and does not imply that any part is the product of these manufacturers.

FEATURES

- Double-seat design for heavy-duty slurry service.
- Ease-of-replacement seat liners.
- When open, the Knife Gate is fully withdrawn from the slurry flow.
- No metal parts in contact with the flowing slurry.
- Bubble-tight shutoff.
- No clogged bonnet to impede flow.
- External epoxy-coated.
- Easily adapted to suit most actuators.
- Low-maintenance.
- Suitable for wet or dry service.
- Bi-directional flow.
- No gland to maintain.
- Wide range of elastomer's available.
- Light-weight for easier handling.
- No seat cavity where solids can collect and prevent full gate closure.
- Leak Test and Pressure Test according to ISO 9001:2015 standard.

PRODUCT SPECIFICATION

Body	: Wafer pattern SG Iron Gr. 42 (SABS), Gr. 10 (SABS), Steel fabrication, WCB or Stainless 304/316.
Elastomer Sleeves	: Gum Rubber (Standard), Nitrile, Butyl, Hypalon and EPDM.
Pressure Rating	: SS 316 Gate: DN 50-400 10 bar, DN 450-600 6.2 bar. Duplex 2205 Gate: DN 50-450 16 bar, DN 500-600 10 bar.
Gate Material	: 304/316/SAF2205 Stainless Steel with optional coatings available.
Drilling Patterns	: DN 50 to DN 450 drilled and tapped ANSI 150#, BS, SABS etc. <i>* other options available upon request.</i>
Material Certification	: Certified chemical and physical test reports can be supplied.
Top Works	: Mild Steel - Angle Iron or A-Frames.
Color	: To client specification.
Branding	: Optional.

ACTUATORS

All types of actuators can be fitted:

- Electric.
- Gear Box.
- Hydraulic.
- Pneumatic.
- Hand Wheel.
- Chain Wheel.

VALVE BODY

- Lubrication ports on both sides of the valve body.
- Flushing port at the bottom.
- Open/Closed lockout brackets (Standard), ready for optional factory supplied lockout pins.
- Adaptable frame (yoke) design can be field modified to take Air Cylinder/Hydraulic Cylinder/ Hand-wheel/Gearbox or Electrical Actuator.



HOW THE RUBBER INSERTS WORK

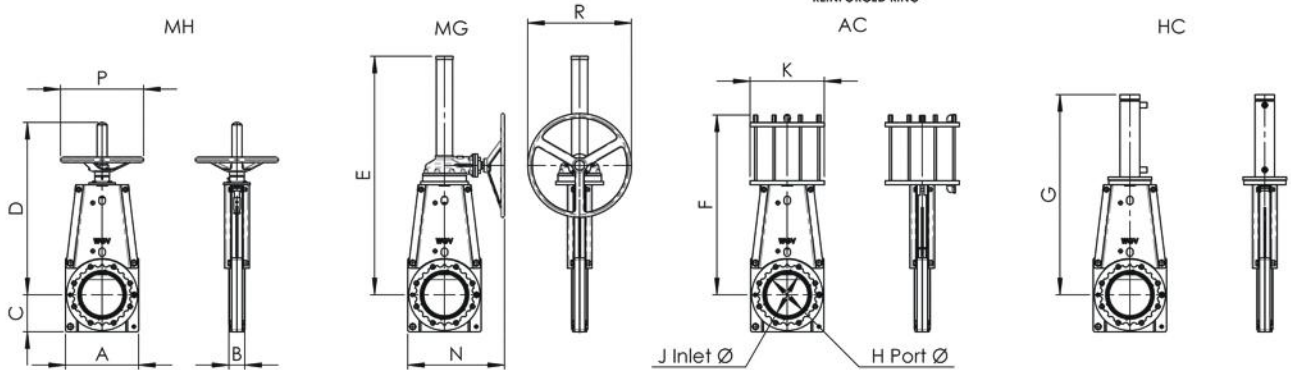
- Matching rubber inserts are placed in the valve housing to seal against the gate when the valve is closed and seal against each other when the valve is open.
- This tight seal contains the high internal line pressure, precluding direct pressure against the "Wiper Seal".
- Double-seated design provides bi-directional flow and shut off.

ACCESSORIES

- Ports** : Lubrication ports on valve body.
- Dust Covers** : PVC Bellows and Spindle cover.
- Gate** : Various gate materials.
- Instrumentation** : Proximity Switches – Pneumatic Solenoid Valves.

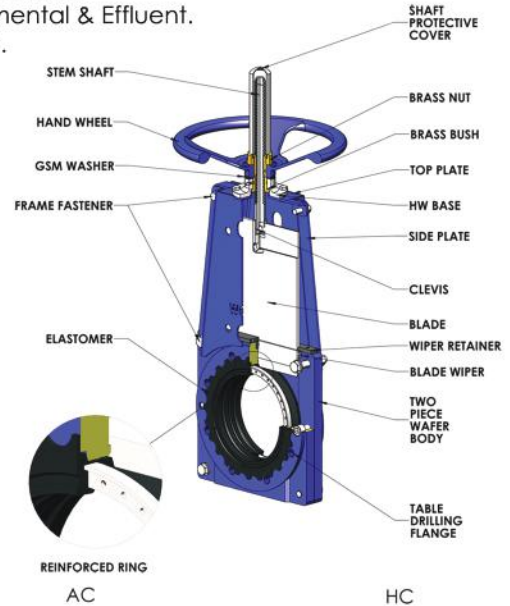
DIMENSIONS

Dimensions are for guidance only - detailed dimension drawings are available on request. All dimensions are stated in millimeters.

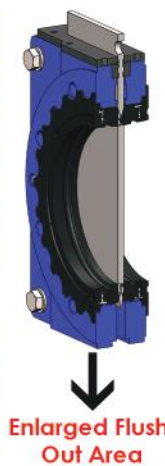


APPLICATIONS

- Mining & Mineral Processing.
- Chemical & Soda Ash.
- Power Generation.
- Pulp & Paper.
- Sand & Gravel.
- Environmental & Effluent.
- Cement.



Valve Size (DN)	Size	2" 50mm	2.5" 65mm	3" 80mm	4" 100mm	5" 125mm	6" 150mm	8" 200mm	10" 250mm	12" 300mm	14" 350mm	16" 400mm	18" 450mm	20" 500mm	24" 600mm	26" 650mm	28" 700mm	30" 750mm	305' 900mm
MH	A	175.3	-	203.2	243.8	-	279.4	342.9	416.6	482.6	533.4	603.3	647.7	711.2	838.2	-	-	-	-
MH	B1	57.2	-	62	62	-	68.1	81	82.6	88.9	88.9	101.6	103.1	130.3	131.8	-	-	-	-
MH	B2	54.1	-	57.2	57.2	-	63.5	76.2	76.2	82.6	82.6	95.3	95.3	120.9	120.9	-	-	-	-
MH	C	101.6	-	124	119.1	-	146.1	178.6	209	247.7	273.6	301.8	308.1	368.3	419.1	-	-	-	-
MH	D	486.9	-	567.7	621	-	748	887.5	1043.2	-	-	-	-	-	-	-	-	-	-
MH	P	305	-	305	305	-	406	508	508	-	-	-	-	-	-	-	-	-	-
MH	M	133.4	-	162.3	175.5	-	231.9	261.9	339.9	341.6	374.7	374.7	431.8	479.6	479.6	-	-	-	-
MG	E	563.4	-	611.9	639.1	-	838.7	924.3	1125.2	1207	1340.9	1435.9	1680.7	1823.5	2162.3	-	-	-	-
MG	N	384.3	-	400.1	422.4	-	449.1	476.3	606.3	738.1	765.8	790.2	768.6	790.7	878.8	-	-	-	-
MG	R	305	-	305	305	-	305	305	610	610	610	610	610	610	610	-	-	-	-
AC	F	540.8	-	627.4	667.3	-	803.4	939.8	1115.3	1273.3	1369.1	1500.4	1728.5	1878.8	2216.2	-	-	-	-
AC	K	190.5	-	222.3	266.7	-	320.8	374.7	444.5	517.7	572.8	621.5	668.5	712.7	889	-	-	-	-
HC	G	559.8	-	640.1	692.7	-	825.8	962.2	1137.7	1289.3	1372.4	1503.7	1737.9	1882.1	2235.2	-	-	-	-
Port	H	47	-	71.4	96.8	-	147.3	196.3	247.4	297.9	329.2	381	431.8	483.4	589.5	-	-	-	-
Inlet	J	50.8	-	76.2	101.6	-	152.4	203.2	254	304.8	336.6	387.4	438.2	489	595.6	-	-	-	-
Weight KG	MH	19.2	-	24.5	33.5	-	39.7	63.4	87.5	166.5	195.5	234.3	253.9	325.8	468.6	-	-	-	-
Weight KG	MG	19.2	-	24.5	33.5	-	39.7	63.4	87.5	166.5	195.5	234.3	253.9	325.8	468.6	-	-	-	-
Weight KG	AC	27.7	-	37.5	41.5	-	64.3	84.8	145	220	292.3	328.5	374.9	519.1	719.9	-	-	-	-
Weight KG	HC	23.2	-	30.3	38.4	-	42.8	64.7	100.4	141	168.3	238.8	283	335.2	513.3	-	-	-	-



Enlarged Flush Out Area

B1 = minimum dimension required for installation. B2 = installed face-to-face.